



KYLE ACADEMY

# National 5 Applications of Maths

Three units of work - Numeracy, Finance & Stats and Geometry & Measure.

Useful for:

- Any pupil going on to study Finance and Statistics based courses;
- Pupils who struggle with Algebra and Algebra based topics;
- Pupils looking for an alternative to N5 Maths;
- Pupils can do N5 Maths then N5 Applications or vice versa;

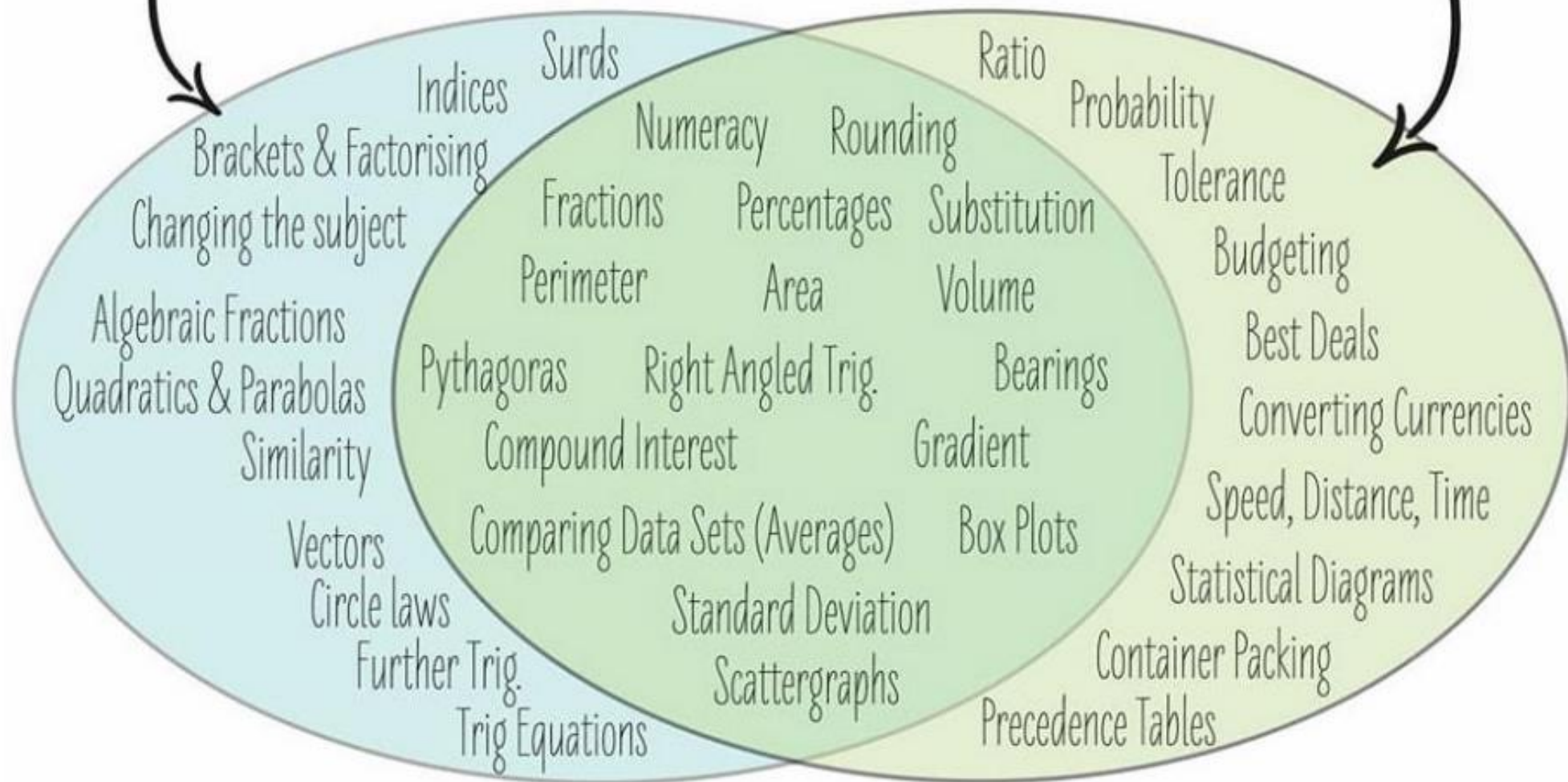


Pupils grades are all determined by and SQA exam in May - exactly the same set up as N5 Maths



It is now accepted by some Universities & Colleges instead of N5 Maths - pupils would need to look into this

# MATHS OR APPLICATIONS



**WHAT'S THE DIFFERENCE?**

## N5 Maths PP 2024 P1 Q7

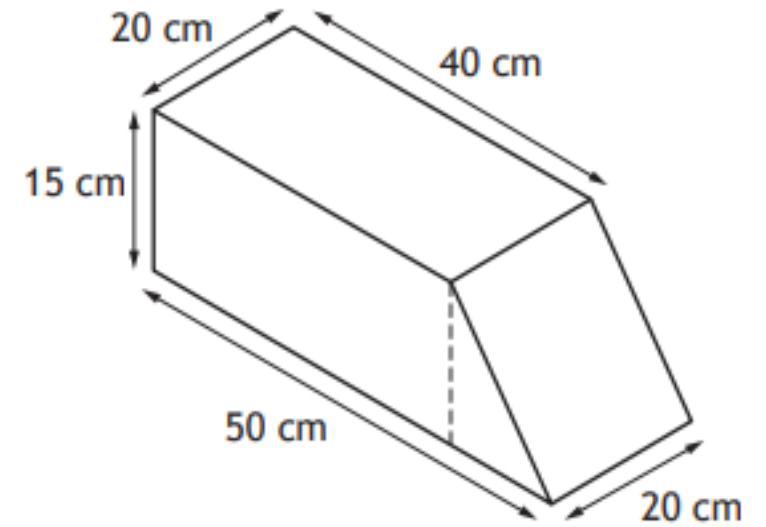
7. Solve, algebraically, the system of equations

$$2p - 7r = 11$$

$$3p + 2r = 4$$

## N5 Apps PP 2024 P1 Q7

7. A container consists of a cuboid and a triangular prism.



Calculate the volume of the container.

Give your answer in litres.



KYLE ACADEMY

## Higher Applications of Maths

Four units of work - Stats, Finance, Mathematical Modelling & Planning and Decision making

Computer based course - Excel & Rstudio

Useful for:

- Any pupil going on to study Finance, Statistics, Computing or data based courses;
- Anyone who has an A or B at N5 Maths or N5 Apps - it is not essential that you have completed N5 Apps;
- Pupils looking for an alternative to Higher Maths;
- You can do Higher Maths then Higher Applications or vice versa

There is an assignment worth 30 marks and an exam worth 65 marks - computer & calculator allowed in exam

It is now accepted by some Universities instead of Higher Maths - pupils would need to look into this

Unlike N5 there is no overlap with Higher Maths & Higher Apps



# N6 Maths PP 2024 P1 Q7

7. The line  $y = 2x$  is a tangent to the circle with equation  $x^2 + y^2 - 14x - 8y + 45 = 0$ . Determine the coordinates of the point of contact.

# N6 Apps PP 2024 P1 Q7

7. You must refer to the information on 'Deductions from salaries' given in the pre-release material when answering this question.

In the 2023/24 tax year, Tom was paid a gross salary of £4500 per month for 12 months, from the 6 April 2023.

His annual income tax deduction is £10,718.48.

Tom has opted out of paying any pension contributions.

- (a) Calculate Tom's **net annual salary** for the 2023/24 tax year, after all deductions including National Insurance.